


blue  **oasis**  
ocean sustainable solutions

NuTTS 2023  
<https://blueoasis.pt/nutts-2023/>

Making the World **Green** and the Oceans **Blue**

# NuTTS

**Numerical Towing-Tank Symposium (NuTTS)** [https://www.uni-due.de/ISMT/ismt\\_nutts.shtml](https://www.uni-due.de/ISMT/ismt_nutts.shtml)

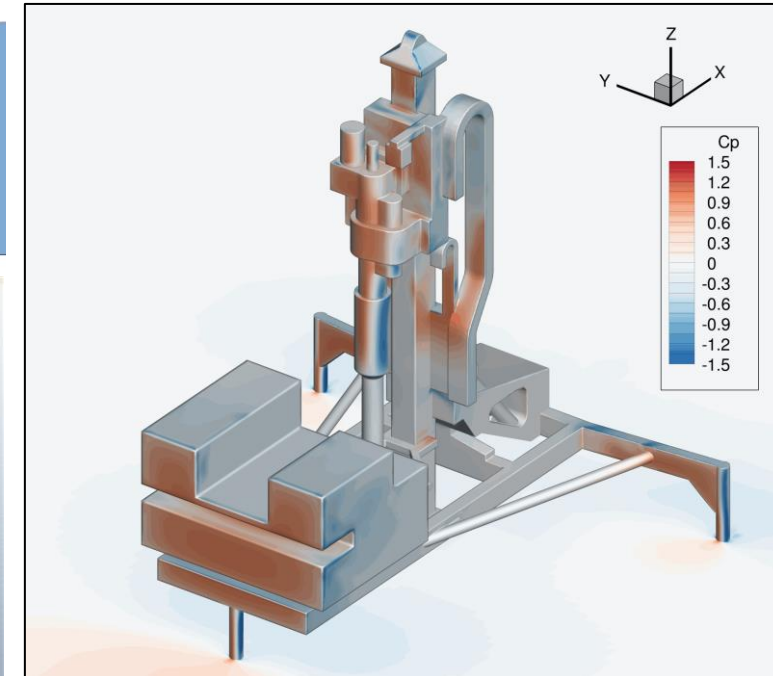
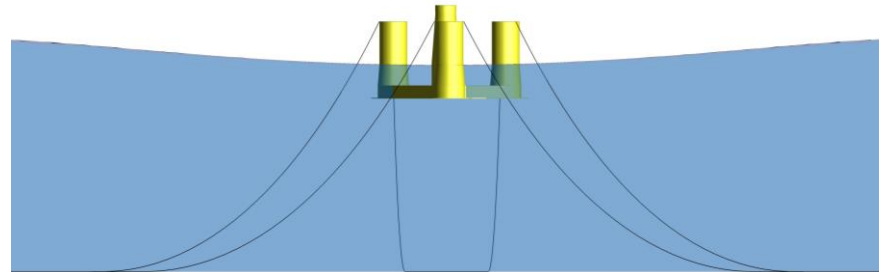
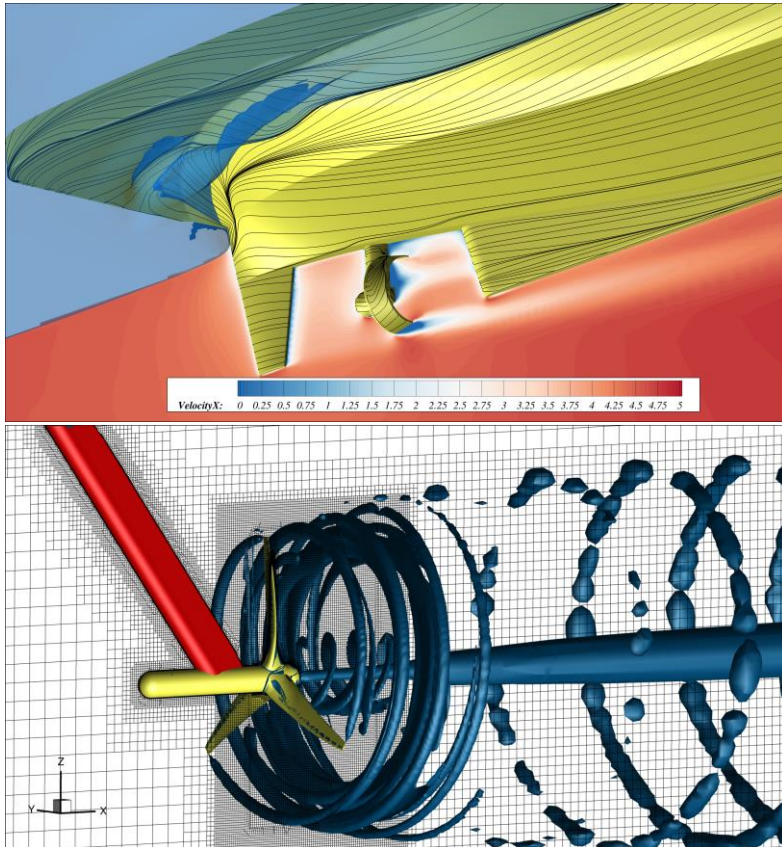
<b>1998</b> Hamburg/Germany	<b>1999</b> Rome/Italy	<b>2000</b> Tjärnö/Sweden	<b>2001</b> Hamburg/Germany	<b>2002</b> Pornichet/France
<b>2003</b> Rome/Italy	<b>2004</b> Hamburg/Germany	<b>2005</b> Varna/Bulgaria	<b>2006</b> Nantes/France	<b>2007</b> Hamburg/Germany
<b>2008</b> Brest/France	<b>2009</b> Cortona/Italy	<b>2010</b> Duisburg/Germany	<b>2011</b> Southampton/England	<b>2012</b> Cortona/Italy
<b>2013</b> Mülheim/Germany	<b>2014</b> Marstrand/Sweden	<b>2015</b> Cortona/Italy	<b>2016</b> St Pierre d'Oléron/France	<b>2017</b> Wageningen / Netherlands
<b>2018</b> Cortona/Italy	<b>2019</b> Tomar/Portugal		<b>2021</b> Duisburg/Germany	<b>2022</b> Zagreb/ Croatia

**In 2023, NuTTS is 25 years old...**

# NuTTS-2023

**2023 theme: "Numerical Work Fosters Ocean Sustainability".**

<https://www.blueoasis.pt/nutts-2023/>



# NuTTS-2023

- **No parallel sessions.**
- **Relaxed atmosphere (no suit nor ties).**
- **MSc and Phd students are encouraged to participate.**
- **Topics**
  - *Potential-flow developments*
  - *CFD developments*
  - *Verification & Validation of Numerical Tools*
  - *Hydrodynamics*
  - *Maritime&Offshore Aerodynamics*
  - *Ships*
  - *Propulsion*
  - *Fluid-Structure-Interaction*
  - *Offshore Platforms*
  - *Numerical Methods for Sailing*
  - *Numerical Methods for Surfing*
  - *Artificial Intelligence for Maritime&Offshore Applications*
  - *Offshore Renewable Energy*

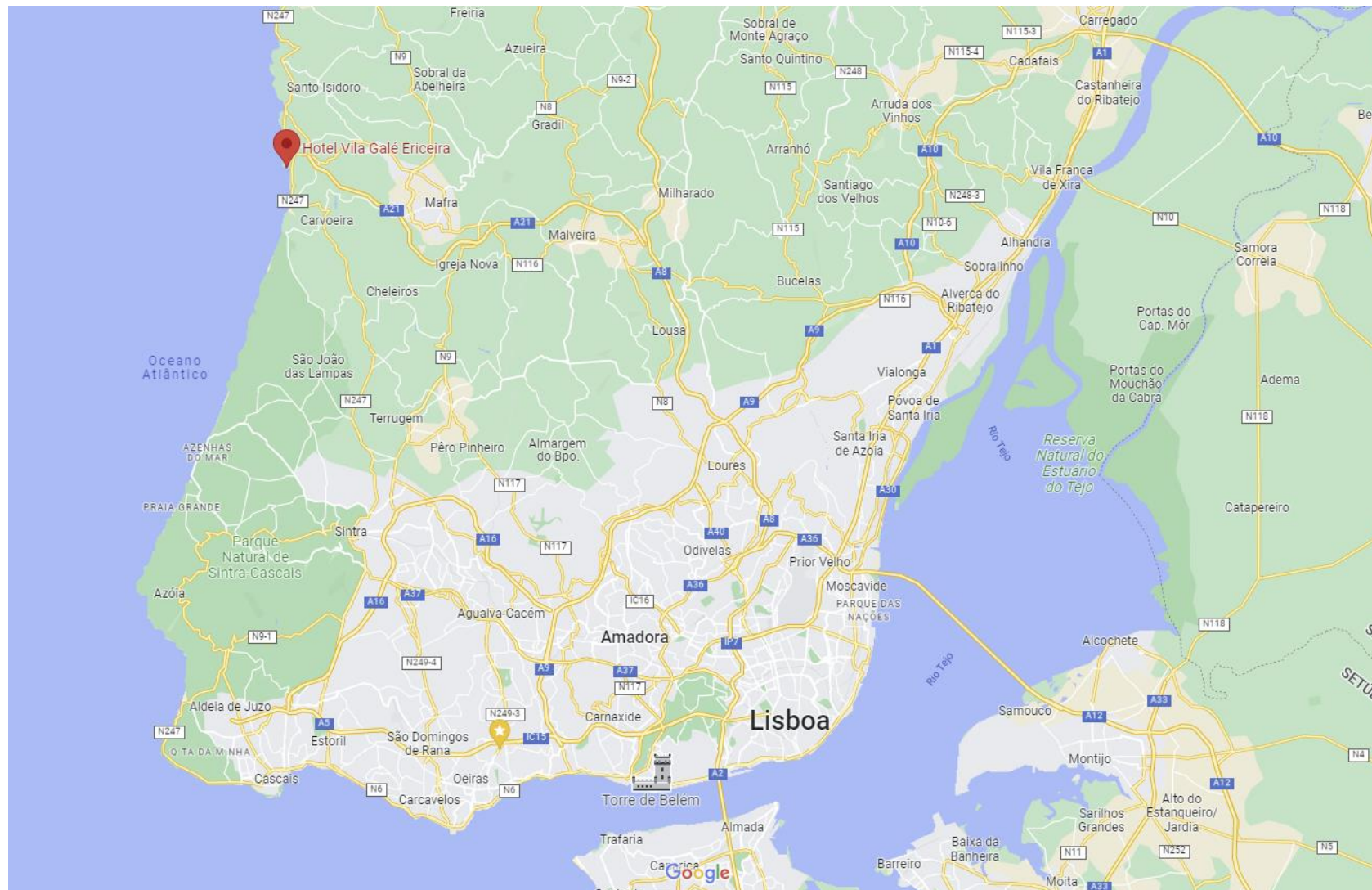
# NuTTS-2023

- blueOASIS will organize it: <https://blueoasis.pt/nutts-2023/>
- It will be held in **Ericeira, Portugal!**
  - Close to the sea.
  - Good for the city&village, Mafra-Ericeira: a Portuguese Sustainable Destination.
  - World Surf Reserve (the only one in Europe).
- **Date:**
  - **15-18 October 2023**
- **Fees are :**
  - 350 Euro PhD candidates and students.
  - 450 Euro academic participants.
  - 600 Euro non-academic participants\*.
  - Includes hotel, meals, social programme and conference fees. 3 nights.

\* Companies of these participants will have a special place in the list of supporting entities, in the proceedings, website, brochures, dinner menu, social media, like the sponsors.

\*\* For more than 2 participants from the same academic or non-academic entity, a discount might be applied.

# NuTTS-2023



# NuTTS-2023

## - Programme:

- Sunday-Tuesday.
- No parallel sessions
- **Sunday:** 14h00 – 18h30
- **Monday:** 9h00 – 13h00  
14h30 – 16h00  
16h00 – 24h00 (social)
- **Tuesday:** 9h00 – 13h00  
14h30 – 18h30



## - Venue: **Vila Galé Ericeira**

## - Social Events:

- Visit **Mafra UNESCO Palace**
- **Surf Experience**
- **Wine Tasting**



# NuTTS-2023

- Venue

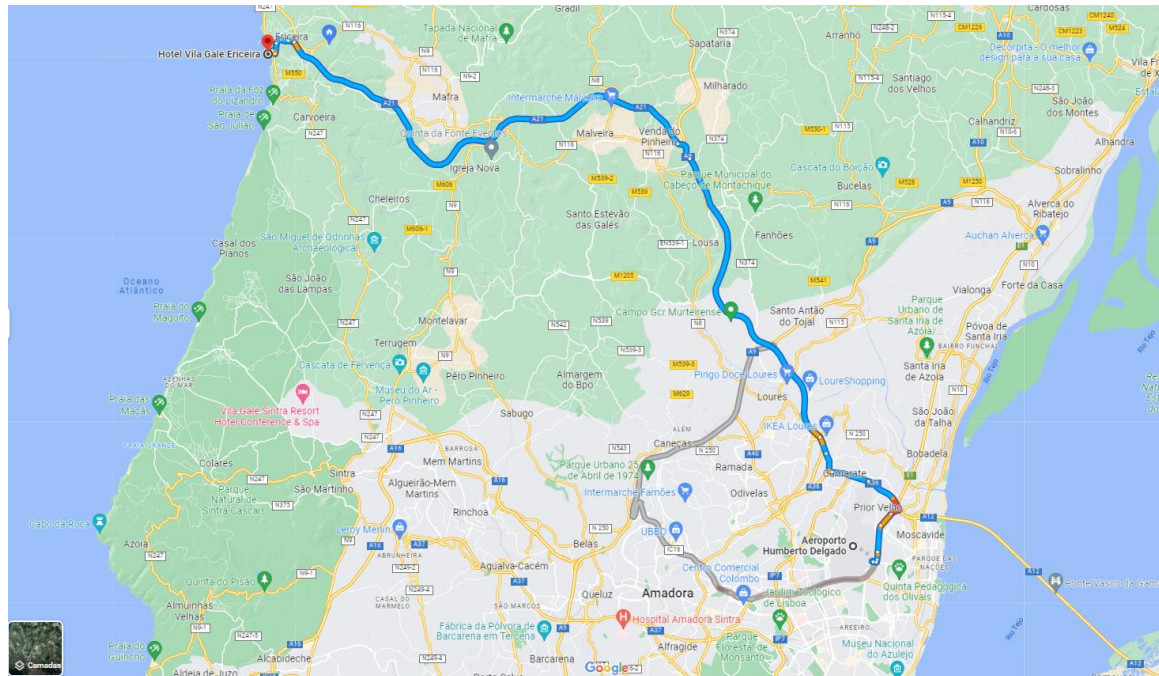




# NuTTS-2023

## - How to get there:

- Lisbon: Lisbon International Airport
- Airport to Bus: Bus or Metro
- Bus to Ericeira: 45m-1h (Mafrense, <https://www.mafrense.pt>)
- Car to Ericeira: 30m from Airport (tolls)
- Uber/Taxi: 30-50 Euro



# NuTTS-2023

## - Sponsors so far

- Mafra City Hall
- Ericeira Business Factory
- ...
- ...
- ...

## - Sponsoring Rights

### - **Bronze: 500Euros**

- Logos in Website
- Social Media announcement

### - **Silver: 1000Euros**

- Logos in Website
- Social Media announcement
- Logos in all Presentations by Organization
- Logos in Printouts, Flyouts, Dinner/Lunches
- 1.0x participants for free

### - **Gold: 2000Euros**

- Logos in Website
- Social Media announcement
- Logos in all Presentations by Organization
- Logos in Printouts, Flyouts, Posters, Dinner/Lunches
- Poster presentation (if desired)
- 2x participant(s) for free



**Thank you!**

**Address:**

Ericeira Business Factory  
R. Prudêncio Franco da Trindade 4,  
2655-344 Ericeira, Portugal

E-mail: [info@blueoasis.pt](mailto:info@blueoasis.pt) - Website: [www.blueoasis.pt](http://www.blueoasis.pt)

Phone: +351 261 101 912